

Specifications: **CPM Series**

Features:

- \*CPM headers for use with CIF and CVF plugs
- \*Dual tier allows more contacts in smaller PCB space
- \*Offset pins
- \*2 to 25 positions single mold (5/5.08) for closed end
- \*2 and 3 positions modular (5/5.08) for open end
- \*4 Styles available (see chart)
- \*Key coding capable
- \*Housing is resistant to chlorinated solvents, with no dioxin or detrimental to health halogens.
- \*Every position of this product is mechanically and electrically tested during assembly to ensure a 100% defect free product.
- \*Minimum 5 microns of tin plating on terminal for easy soldering.

Electrical

- Current(5/5.08): 12A @ 300V
- Pin dimension: 1mm x 1mm
- CR: <15mΩ
- IR: >10<sup>9</sup> Ω (500V DC)
- Operating temp: -40°C to +110°C
- PCB holes: min 1.4mm
- PCB thickness: max 2.4mm
- Climactic category: 40/110/21 Acc. to IEC 68-1
- Insertion force: max 3 N
- Disconnecting force: min 1.5 N

Materials

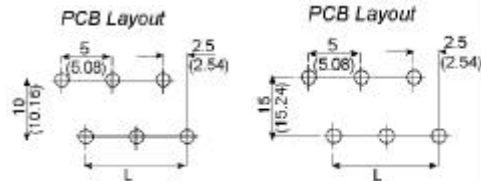
- Housing: Polyamide 6,6 (UL94V-0)
- Terminal pin: Bronze, Tin plated
- Colors available: Green is standard  
Black is optional

Marking

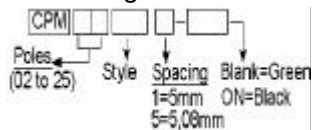
Consult factory for marking options.

Right Angle

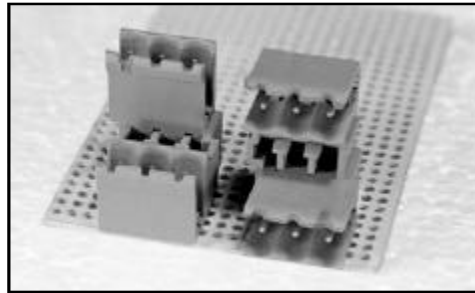
Vertical



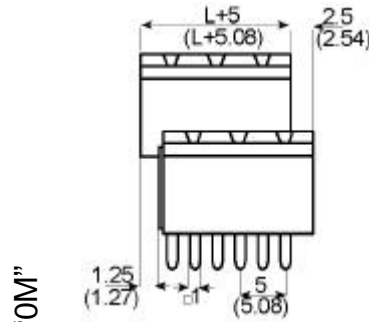
Ordering Information



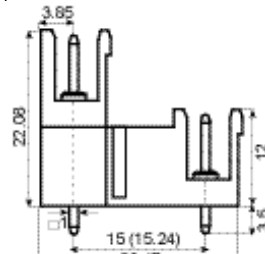
12A 300V                      5 and 5.08mm



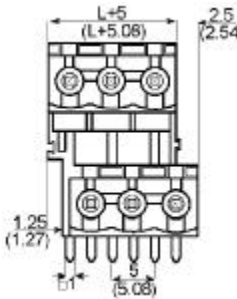
Vertical, open end modular



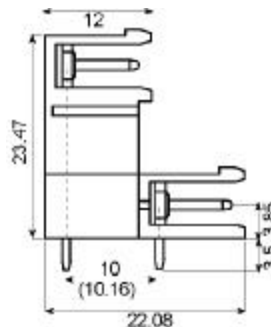
Style "0M"



Right Angle, open end modular



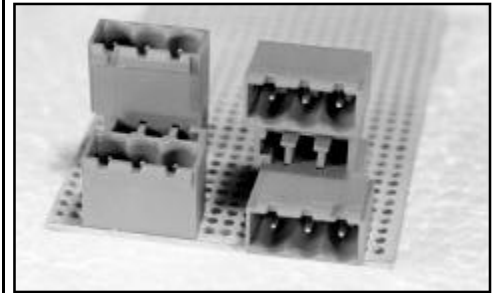
Style "9M"



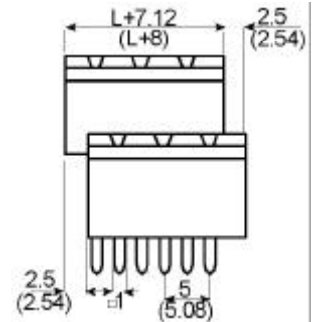
Dimensions

- n=number of poles
- L=(n-1) x 5 (for 5mm spacing)
- L=(n-1) x 5.08 (for 5.08mm spacing)
- Also available in 10mm and 10.16mm centers.

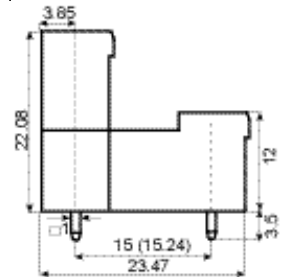
12A 300V                      5 and 5.08mm



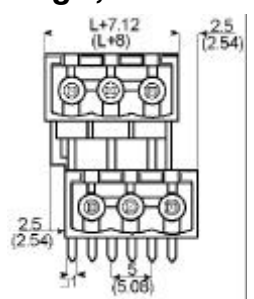
Vertical, closed end



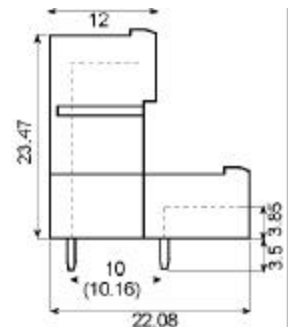
Style "0P"



Right Angle, closed end



Style "9P"



Dimensions

- n=number of poles
- L=(n-1) x 5 (for 5mm spacing)
- L=(n-1) x 5.08 (for 5.08mm spacing)
- Also available in 10mm and 10.16mm centers.