

Specifications: CIF/CIM Series

Features:

- Series is supplied with the clamp in the open position
- Double captive screws
- Elevator clamp system
- Testing points/holes
- 2 to 25 positions single mold
- Housing is resistant to chlorinated solvents, with no di-oxin or detrimental to health halogens
- Every position of this product is mechanically and electrically tested during assembly to ensure a 100% defect free product
- Minimum 5 microns of tin plating on terminal for easy soldering

Electrical

Current: 15A @ 300V
 Wire Range: 12-30 AWG
 Wire Section: (mm²) 0.05 to 4mm²
 Pin Dimension: 1mm x 0.8mm
 CR: <15mΩ

Operating temp: -40°C - +110°C
 Stripping Length: 6.5mm
 Torque: 0.5 Nm
 PCB Holes: min 1.4mm
 PCB Thickness: max 2.4mm
 Climatic Category: 40/110/21 Acc. To IEC 68-1

Materials

Housing: Polyamide 6,6 (UL 94V-O)
 Clamp: Copper Alloy, NI plated
 Terminal: Copper Alloy, Tin-plated
 Screw: M3, Copper Alloy, Ni plated
 Colors Available: Green and Black

Marking

Numbered marking strips for 5 and 5.08mm centers

Numbered	Order Number
1-10	ESA014000110
11-20	ESA014001120
21-30	ESA014002130
31-40	ESA014003140
41-50	ESA014004150

Ink marking by factory (specify in order number):

Factory ink is permanent and will not rub off.

Ink has fluorescent tint for greater visibility

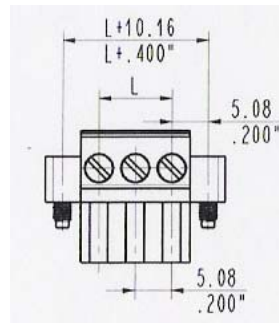
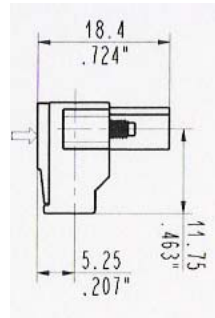
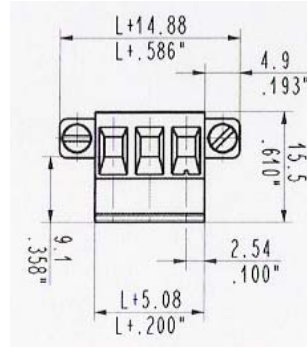
0 = no printing

A= upside down printing (consecutive #'s R to L)

B= regular printing (consecutive #'s L to R)

Custom markings are welcome with minimum order - Contact factory

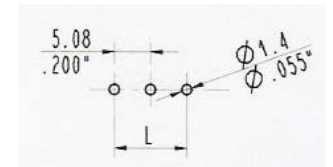
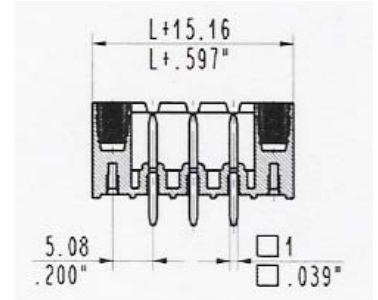
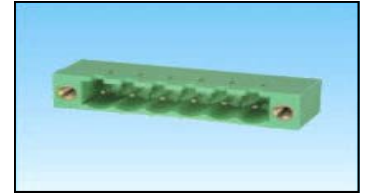
24A 300V 5 and 5.08mm



Dimensions

n = number of poles
 L=(n-1) x 5.08 (for 5.08mm spacing)

24A 300V 5 and 5.08mm



Dimensions

n = number of poles
 L=(n-1) x 5.00 (for 5.00mm spacing)
 L=(n-1) x 5.08 (for 5.08mm spacing)

(Also available in 10mm and 10.16mm centers)