

**Specifications: CIM-4 Series**

**Features:**

- Unique angled wire entry
- 2 to 25 positions single mold
- Housing is resistant to chlorinated solvents, with no dioxin or detrimental to health halogens
- Every position of this product is mechanically and electrically tested during assembly to ensure a 100% defect free product
- Minimum 5 microns of tin plating on terminal for easy soldering

**Electrical**

|                                  |                            |
|----------------------------------|----------------------------|
| Current:                         | 24A @ 300V                 |
| Wire Range:                      | 12-30 AWG                  |
| Wire Section: (mm <sup>2</sup> ) | 0.05 to 4mm <sup>2</sup>   |
| Pin Dimension:                   | 1mm x 0.8mm                |
| CR:                              | <15mΩ                      |
| Operating temp:                  | -40°C - +110°C             |
| Stripping Length:                | 6.5mm                      |
| Torque:                          | 0.5 Nm                     |
| PCB Holes:                       | min 1.4mm                  |
| PCB Thickness:                   | max 2.4mm                  |
| Climatic Category:               | 40/110/21 Acc. To IEC 68-1 |

**Materials**

|                   |                             |
|-------------------|-----------------------------|
| Housing:          | Polyamide 6,6 (UL 94V-O)    |
| Clamp:            | Copper Alloy, NI plated     |
| Terminal:         | Copper Alloy, Tin-plated    |
| Screw:            | M3, Copper Alloy, Ni plated |
| Colors Available: | Green and Black             |

**Marking**

Numbered marking strips for 5 and 5.08mm centers

| <u>Numbered</u> | <u>Order Number</u> |
|-----------------|---------------------|
| 1-10            | ESA014000110        |
| 11-20           | ESA014001120        |
| 21-30           | ESA014002130        |
| 31-40           | ESA014003140        |
| 41-50           | ESA014004150        |

Ink marking by factory (specify in order number):

Factory ink is permanent and will not rub off.

Ink has fluorescent tint for greater visibility

0 = no printing

A= upside down printing (consecutive #'s R to L)

B= regular printing (consecutive #'s L to R)

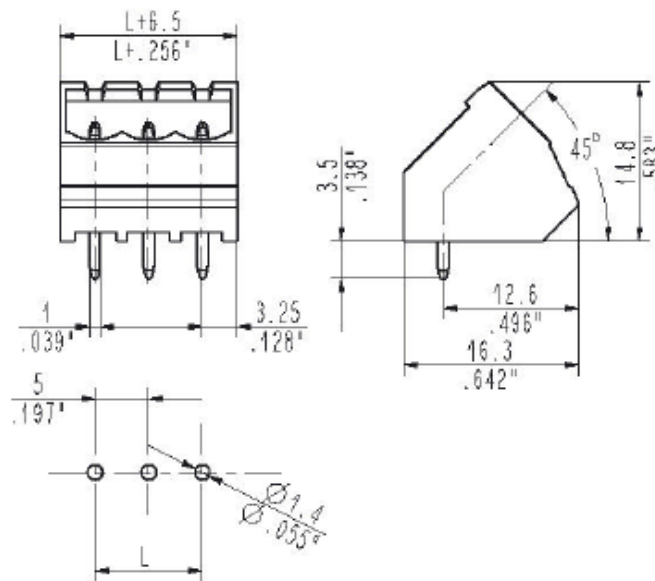
Custom markings are welcome with minimum order - Contact factory

24A 300V

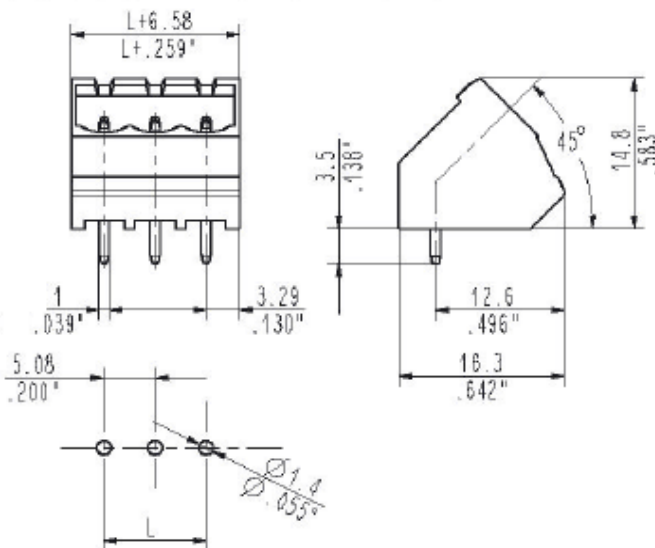
5 and 5.08mm



**5.00mm  
CIMxx4P1(-ON)**



**5.08mm  
CIMxx4P5(-ON)**



*Dimensions*

n = number of poles

$L=(n-1) \times 5.08$  (for 5.08mm spacing)