

## PART #:

**OTB-910-M**

**OTB-910-ML**

## Type:

PCB Terminal Block With  
Mounting Ears

## Features:

Barrier Construction  
UL Recognized  
Available 2 – 17 Poles  
Optional Cover Available (C)  
Mounting Ears

## Applications:

Suitable for:  
Power Supplies  
Back Planes  
Motor Controls  
Industrial Controls  
CNV Machines

## Electrical

### Rated Voltage:

600V

### Rated Current:

115A

### Wire Size:

22 – 2 AWG

### Operating Temperature:

-25°C to + 90°C

## Materials

### Housing:

Polycarbonate (UL94V-0)  
Standard Color: Black

### Cover:

Polycarbonate (UL94V-0)

### Terminals:

Brass, Tin, Nickel

### Screw Size:

M5 Steel, Nickel-Plated

### Withstanding Voltage:

AC2500V

### Torque:

53.1 lbs. per inch

### Insulation Resistance:

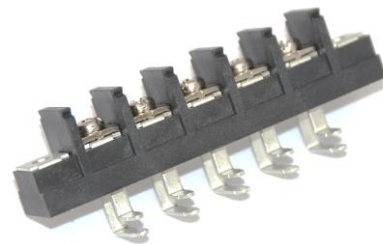
AC2500V

## PCB TERMINAL BLOCK PITCH: 16mm

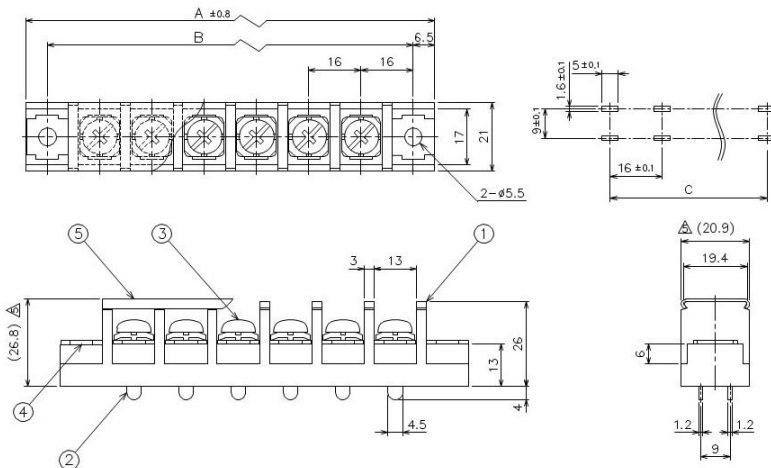
600 VOLTS/115 AMPS



OTB-910-M Straight PC





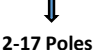
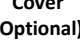
OTB-910-ML Right Angle PC



BlockMaster Electronics' new OTB-910 M and ML series is a high-power PC board, barrier-style terminal block. This block allows you to terminate up to 115 AMPS per position. It has very heavy-duty dual PC terminals for superior P.C. board mounting strength.

Poles	1	2	3	4	5	6	7	8	9	10	11	12
Dimension A	X	61mm (2.40")	77mm (3.03")	93mm (3.66")	109mm (4.29")	125mm (4.92")	141mm (5.55")	157mm (6.81")	173mm (6.81")	189mm (7.44")	205mm (8.07")	221mm (8.70")
Dimension B	X	48mm (1.88")	64mm (2.51")	80mm (3.64")	96mm (3.77")	112mm (4.40")	128mm (5.03")	144mm (5.66")	160mm (6.29")	176mm (6.92")	192mm (7.55")	208mm (8.18")
Dimension C	X	16mm (.629")	32mm (1.25")	48mm (1.88")	64mm (2.51")	80mm (3.14")	96mm (3.77")	112mm (4.40")	128mm (5.03")	144mm (5.66")	160mm (6.29")	176mm (6.92")

## HOW TO ORDER:

OTB-910-M -  P -  C  
 OTB-910-ML -  P -  C  
 2-17 Poles Cover (Optional)



1400 Howard Street Phone: (847) 956-1680  
Elk Grove Village, IL 60007 Fax: (847) 956-1690

[www.BlockMaster.com](http://www.BlockMaster.com)