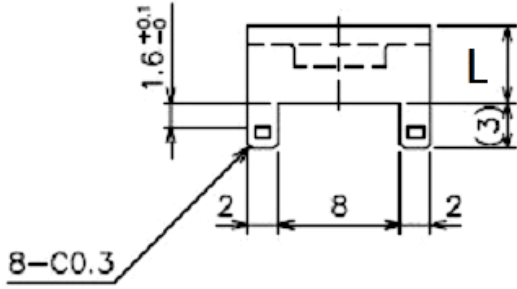
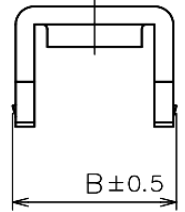
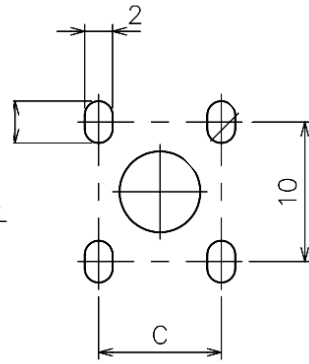
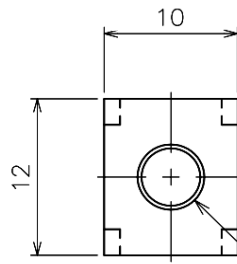


OP-055-M5-L1/L2

80A

Straight P.C.

No.	L	B	C
1	5.0	10.4	9.2
2	31.5	12.4	10.8



Recommended P.C. Board Layout