

Specifications: CVF-D/S Series

Features:

- Series is supplied with the clamp in the open position
- Double captive screws
- Elevator clamp system
- Testing points/holes
- 2 to 25 positions single mold
- Housing is resistant to chlorinated solvents, with no di-oxin or detrimental to health halogens
- Every position of this product is mechanically and electrically tested during assembly to ensure a 100% defect free product
- Minimum 5 microns of tin plating on terminal for easy soldering

Electrical

Current:	15A @ 300V
Wire Range:	12-30 AWG
Wire Section: (mm ²)	0.05 to 4mm ²
Pin Dimension:	1mm x 0.8mm
CR:	<15mΩ
Operating temp:	-40°C - +110°C
Stripping Length:	6.5mm
Torque:	0.5 Nm
PCB Holes:	min 1.4mm
PCB Thickness:	max 2.4mm
Climatic Category:	40/110/21 Acc. To IEC 68-1

Materials

Housing:	Polyamide 6,6 (UL 94V-O)
Clamp:	Copper Alloy, Ni plated
Terminal:	Copper Alloy, Tin-plated
Screw:	M3, Copper Alloy, Ni plated
Colors Available:	Green and Black

Marking

Numbered marking strips for 5 and 5.08mm centers

<u>Numbered</u>	<u>Order Number</u>
1-10	ESA014000110
11-20	ESA014001120
21-30	ESA014002130
31-40	ESA014003140
41-50	ESA014004150

Ink marking by factory (specify in order number):

Factory ink is permanent and will not rub off.

Ink has fluorescent tint for greater visibility

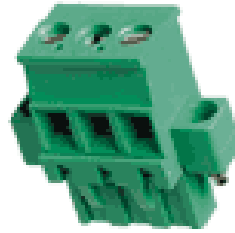
0 = no printing

A= upside down printing (consecutive #'s R to L)

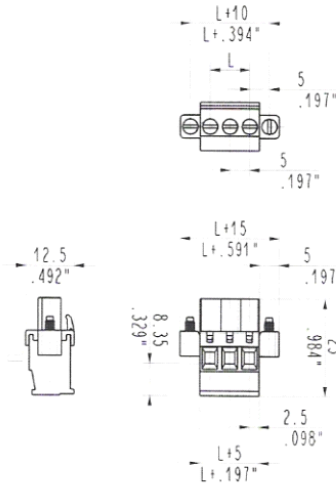
B= regular printing (consecutive #'s L to R)

Custom markings are welcome with minimum order - Contact factory

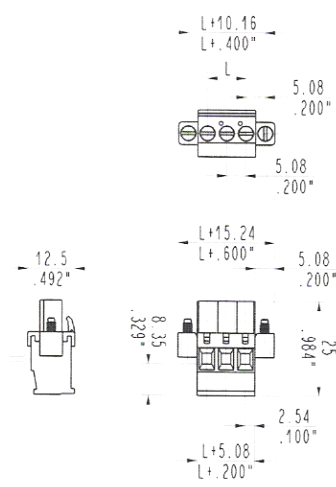
15A 300V 5 and 5.08mm



**5.00mm Version
CVFxx0D1**



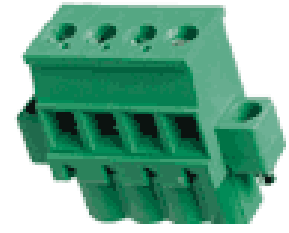
**5.08mm Version
CVFxx0D5(-ON)**



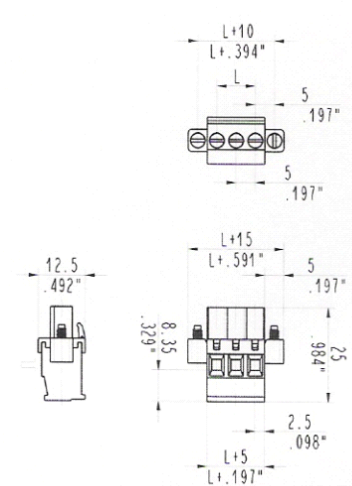
Dimensions

n = number of poles
 L=(n-1) x 5.00 (for 5.00mm spacing)
 L=(n-1) x 5.08 (for 5.08mm spacing)

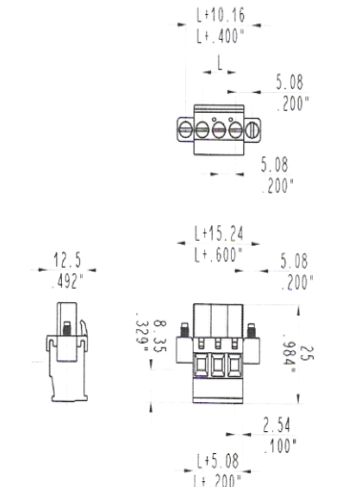
15A 300V 5 and 5.08mm



**5.00mm Version
CVFxx0S1**



**5.08mm Version
CVFxx0S5(-ON)**



Dimensions

n = number of poles
 L=(n-1) x 5.00 (for 5.00mm spacing)
 L=(n-1) x 5.08 (for 5.08mm spacing)