

OT-017F-M4

PCB Terminal Block

Electrical

Rated Voltage:

1000V

Rated Current:

60A

Operating Temperature:

-40°C to +80°C

Materials

Housing:

PA66 (94V-0)

Terminals:

Brass / Tin Plated

Withstanding Voltage:

AC 3,000V/1 Min.

Screw:

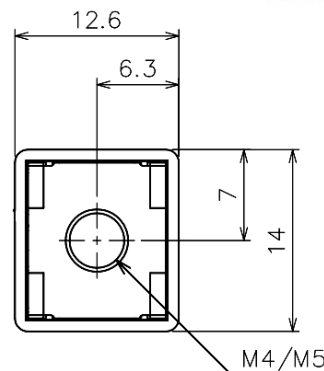
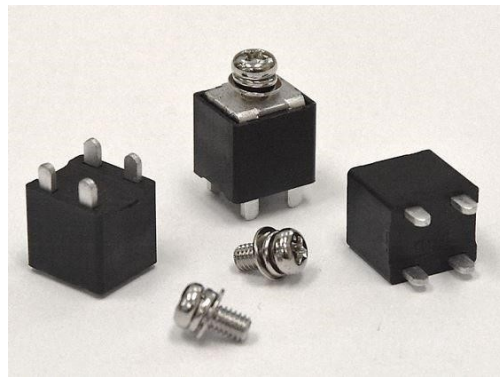
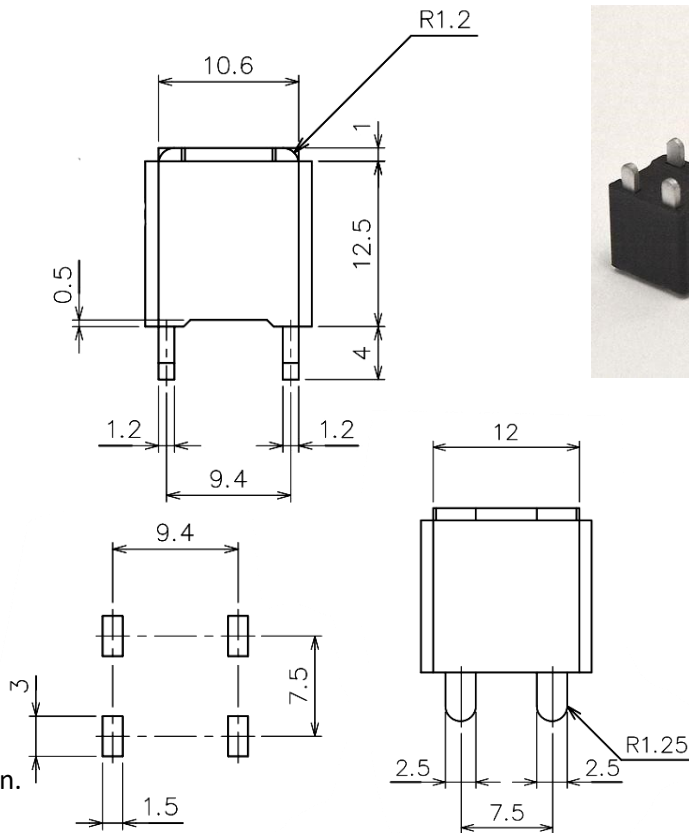
Steel / Nickel Plate

M4 x 8L

Screw Torque: 10.6 - 12.4 Lb.In.

Wire Range: 24-6 AWG, with

Properly Crimp on Terminals



OP-930-P35

PCB Terminal Block

Electrical

Rated Voltage:

1000V

Rated Current:

40A

Operating Temperature:

-40°C to +90°C

Materials

Housing:

PBT (94V-0)

Terminals:

Brass / Tin Plated

Withstanding Voltage:

AC 3,000V/1 Min.

Screw:

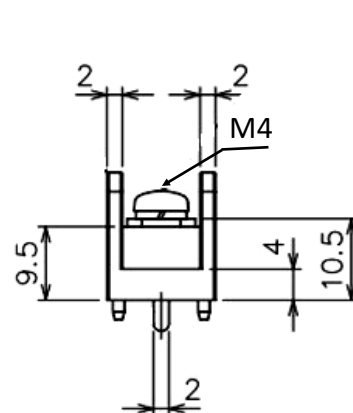
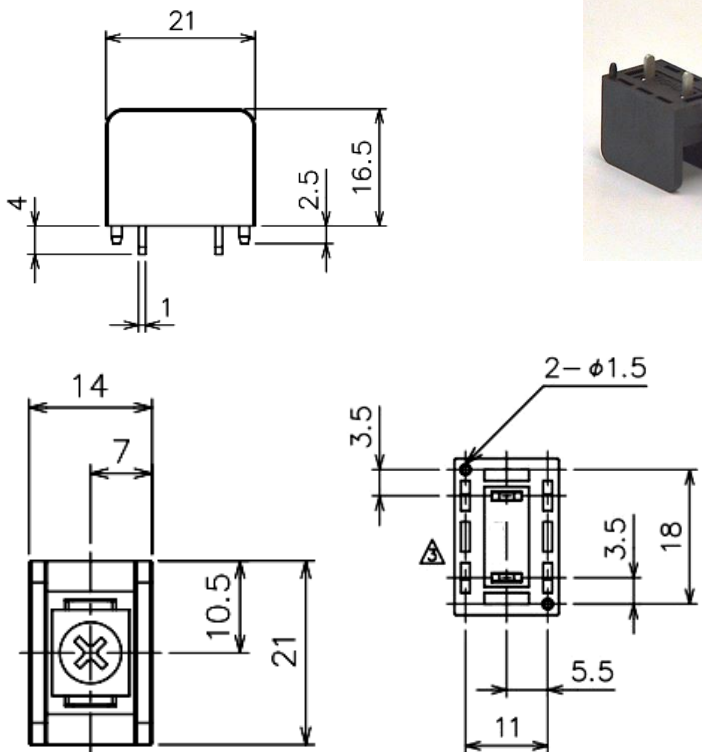
Brass / Nickel Plate

M4 x 8L

Screw Torque: 10.6 - 12.4 Lb.In.

Wire Range: 24-8 AWG, with

Properly Crimp on Terminals



1400 Howard Street Phone: (847) 956-1680
Elk Grove Village, IL 60007 Fax: (847) 956-1690

www.BlockMaster.com