

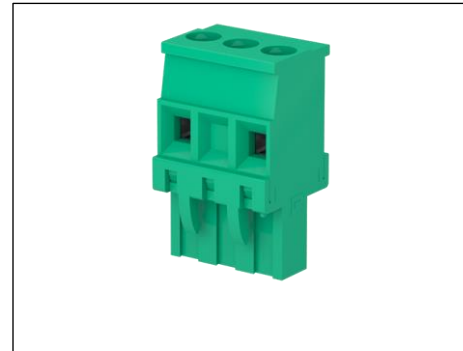
SCOPE: This specification applies to – CVFXX0R2- Plug

SPECIFICATIONS:

Number of poles: 2 – 13
 Sides configuration: Side stackable
 Pitch: 10 mm
 Voltage: 600V
 Current: 15A
 Wire section: 0.05 - 2.5 mm² / 30 – 12 AWG
 Available approvals: UL, VDE, IMQ, CSA

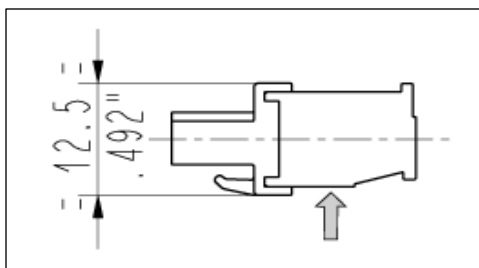
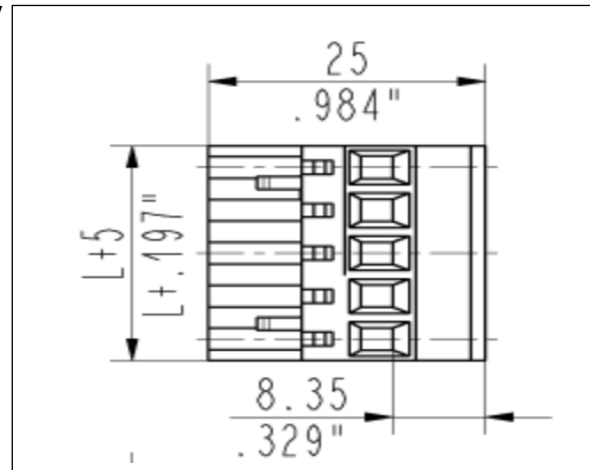
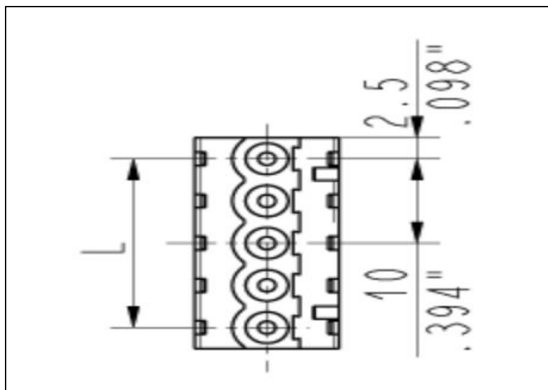


Screw dimensions: M3
 Insertion force per pole: max. 3 N
 Withdrawal force per pole: min. 1,5 N
 Recommended tightening torque: 0.5Nm
 Stripping length: 7.5 mm
 Operating temperature range: - 40°C to +105°C
 Contact resistance: <15 mOhm
 Insulation resistance: >1 GOhm



Screw material: Nickel-plated copper alloy
 Spring contact: Tin-plated copper alloy
 Clamp Tightening: Nickel plated copper alloy
 Insulating housing material: PA polyamide
 Color: Green (Standard)

DIMENSIONS:



Mates with:

**CIM series
 CPM series
 CIMH series**

<p>BlockMaster Confidential and Proprietary</p>	<p>BlockMaster Electronics 1400 Howard Street Elk Grove Village, IL. 60007 Toll Free: 800-595-8881 FAX: 847-956-1690 www.blockmaster.com</p>
<p>All dimensions are in MM unless otherwise specified</p>	
<p>Drawing Number: CVFXX0R2</p>	<p>Plug</p>
<p>Date: 6/11/2017</p>	<p>THE INFORMATION DISCLOSED HEREIN WAS ORIGINATED BY AND IS THE PROPERTY OF BLOCKMASTER ELECTRONICS INC. AND EXCEPT FOR USE EXPRESSLY GRANTED TO THE UNITED STATES GOVERNMENT BLOCKMASTER ELECTRONICS INC. RESERVES ALL PATENT PROPRIETARY DESIGN, USE, SALE, MANUFACTURING AND PRODUCTION RIGHTS THERETO. THIS DOES NOT APPLY TO VENDOR.</p>