

HIGH POWER MODULAR / DIN-Rail or PANEL MOUNT DISTRIBUTION BLOCK

PANEL DISTRIBUTION POWER BLOCK

600 VOLTS/115 AMPS

SERIES

HP-ATA – 115B □ - □ P

Type:

DIN-Rail or Panel Mount

Features:

1-3 Poles (Modular)

Clear Plastic Safety Cover (Optional)

Applications:

Suitable for:

Industrial Control Panels

HVAC Equipment

Standby Generators

Switch Gear

Lighting Panels

Electrical

Rated Voltage:

600V

Rated Current:

115A

Screw Size / Torque

Line 5/16 - 24UNF

2~3 AWG 50 LB/IN

4~6 AWG 94 LB/IN

8 AWG 40 LB/IN

10~14 AWG 35 LB/IN

Load 8 – 36UNF

10~ 18 AWG 7 LB/IN

Operating Temperature:

-20°C to +125°C

Materials

Housing:

PBT (UL90V-0)

Cover:

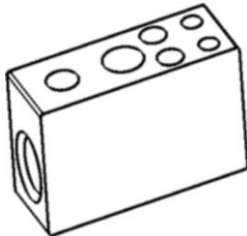
Polycarbonate (UL94V-2)

Terminals:

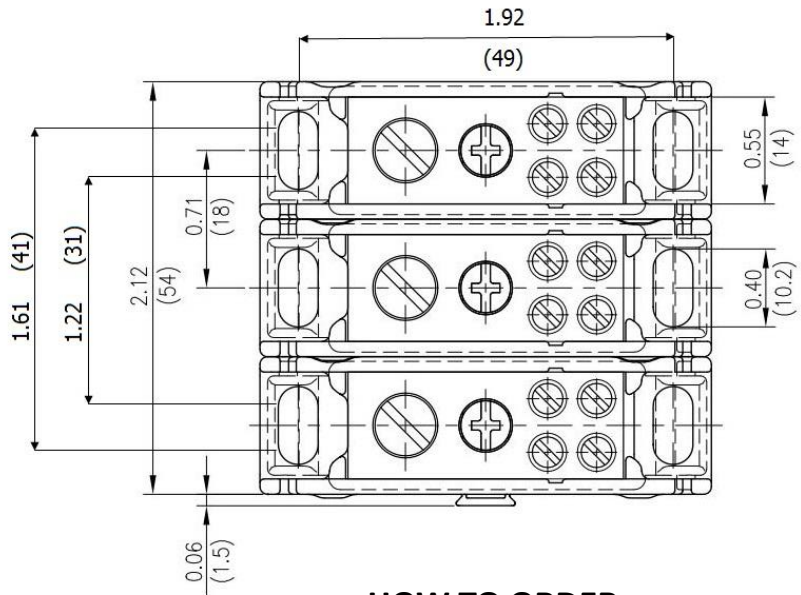
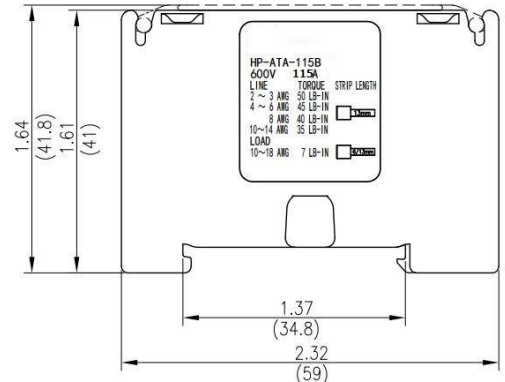
Aluminum

Withstanding Voltage:

AC 2,500 V / 1 Min.



HP-ATA-115B-6



HOW TO ORDER:

HP-ATA – 115B □ - □ P - □ CL1

↓ ↓ ↓

Style 1-3 Poles Clear Cover (Optional)

