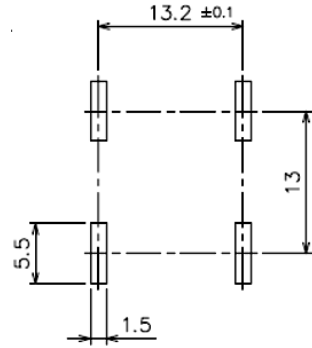
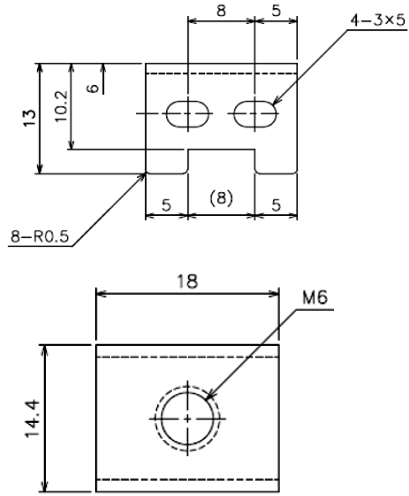
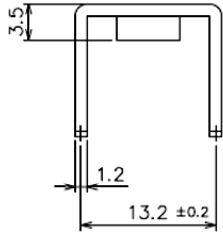


OP-487-M6

100A
Straight P.C.



Recommended P.C. Board Layout

