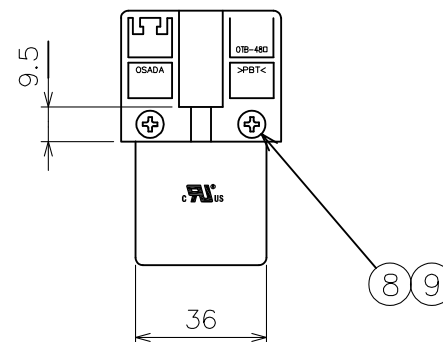
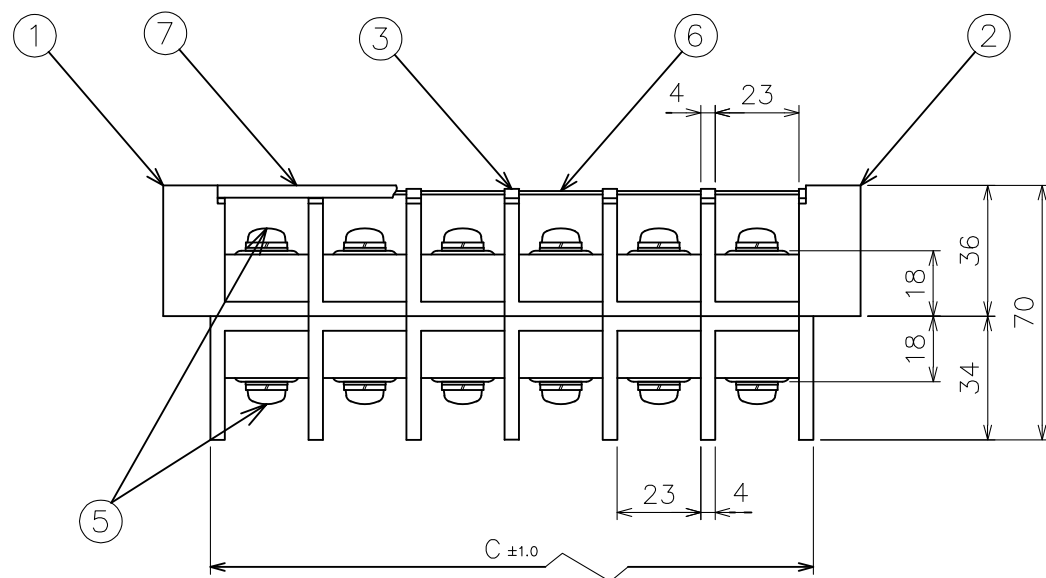
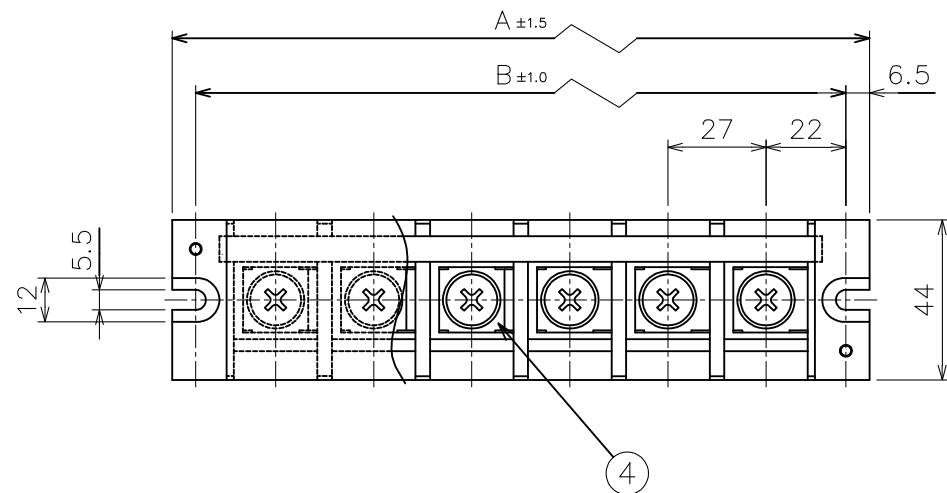


参 考



Name	Terminal Blocks Through type	Type	OTB-488S-□P		Drawing No.	
No.	Parts Name	Number	Material	Standard No.	Dispose	Note
1	Base A	1	P B T	94V-0		Black
2	Base B	1	P B T	94V-0		Black
3	Base C	1	P B T	94V-0		Black
4	Terminal Plate	1	Brass		Ni	t 2.0
5	Tightening Screw M6×12L	2	Steel		Cr3+	(P67)
6	Sigh Board	1	P E T			White t1.0
7	Cover	1	P C	94V-0		Transparency
8	Joint Shaft M4	2	Steel		Cr3+	
9	Nut M4	2	Steel		Ni	

* No. ⑥ is attach.

PERFORMANCE

1. Rating
 2. Insulation Resistance
 3. Withstand Voltage
 4. Usage Temperature Rating
 5. Storage Temperature Rating
 6. Screw Tightening Torque (Delivery Time)
- * The UL authorized details is cf . our web

RoHS

600V 150A
 DC500V , >1000MΩ
 AC2500V / 1min.
 -40℃~+90℃
 -40℃~+90℃
 0.5~1.0N·m

© Measurements List of A. B & C (P: Number of terminals)

P	1	2	3	4	5	6	7	8	9	10	11	12	13	14	15
A	57	84	111	138	165	192	219	246	273	300	327	354	381	408	435
B	44	71	98	125	152	179	206	233	260	287	314	341	368	395	422
C	31	58	85	112	139	166	193	220	247	274	301	328	355	382	409

Alter ation	△							△	
Unit	Sheet	Scale	General Tolerance	Design	Trace	Remain	Approval	BlockMaster Electronics	
m m	A3	1/2	0~6 ±0.2 6~12 ±0.25 12~30 ±0.3 30~50 ±0.35	50~80 ±0.4 80~120 ±0.45 120~200 ±0.5 200~300 ±0.7		Shimazaki '14.10.01	'14.10.01		www.blockmaster.com